

I B@GGC H:9FK 69 GD97 ÷ 98. 8 A 9BGC BG5F9 B A @A 9HFG G F: 5 7 9: B 6<. H C @F 5B 7 9G " @B 95 F. " 5B: 1 @5 F.		: B 6<.		8 96 I F 5 B 8 6 F 95 ? G < 5 F D 98: 9G		8 C B C H G 7 5 @ 8 F 5 K B ;		F 9 J 6 C B	
B 5 A 9		G 9 B 5 H F 9		8 5 H 9		D f c Y _ h			
8 F 5 K B		G W \ U i Y F 5 "		& + "\$ & " & \$ \$,		J ? I D %			
7 < ? 7 B						H Y .			
5 D D J B						6 f Y a g i Z h 5 X U d h Y f			
A : :						6 Y G W \ F Y] i b [.		5 (
E " 5				A 5 H F 5 @		b] W \ h X Y Z '		N g J a a Y b V U i ' J ? I D %	
				K 9 ÷ < H '		A U E g t U V . % . %		6 U h % # % \$	

Bf"	6 Y n Y] W b i b [5 f h _ Y ' B f "	G h W
F	S \ { { • & @ æ à ^	J í F e F e	F
G	Ü ^ & c • Á & @ \ c ^ ! • & Q • • Ä S ~]] } * Ä S O E	J í F e F F e	F
H	S \ { { i a *	J í F e F e J	F

5
6
7

5
6
7

8

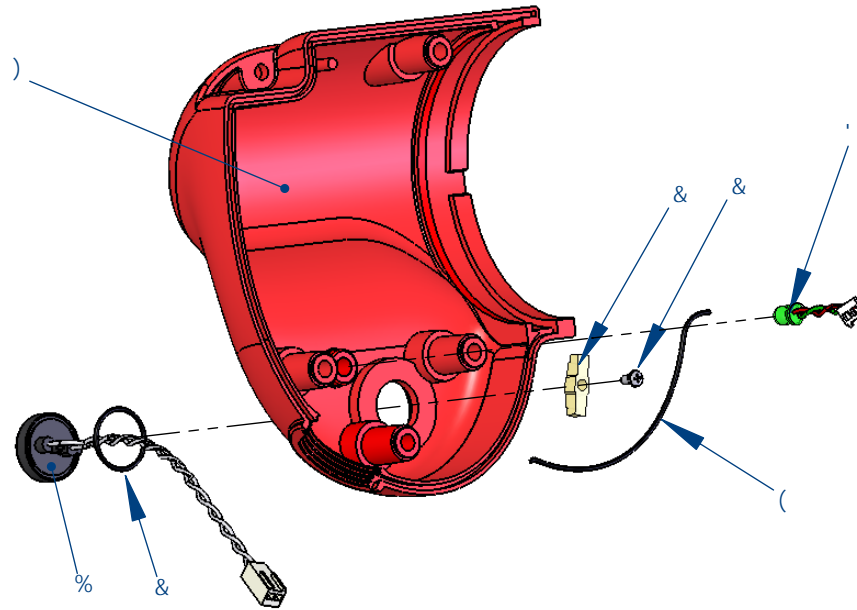
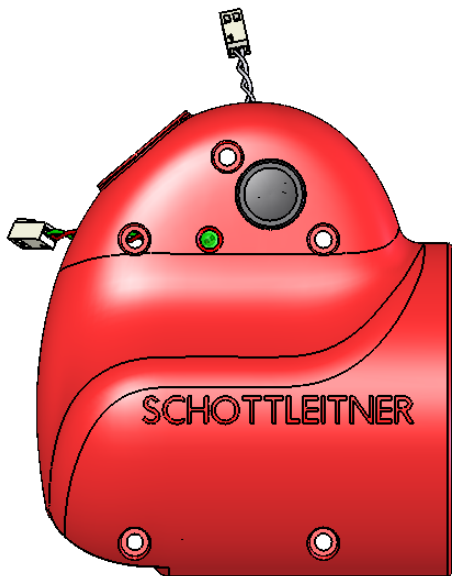
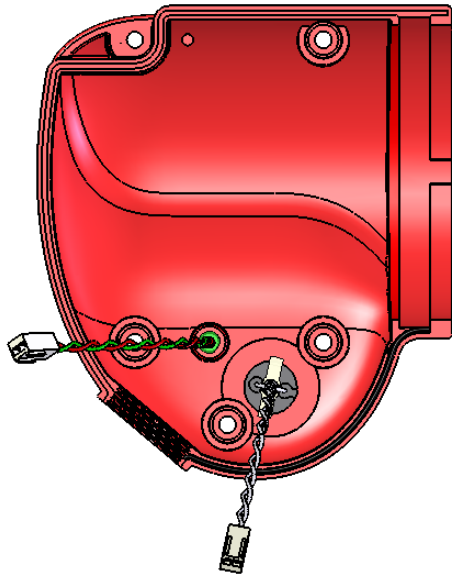
%

&

K 9 ÷ < H '

A U E g t U V . % . %

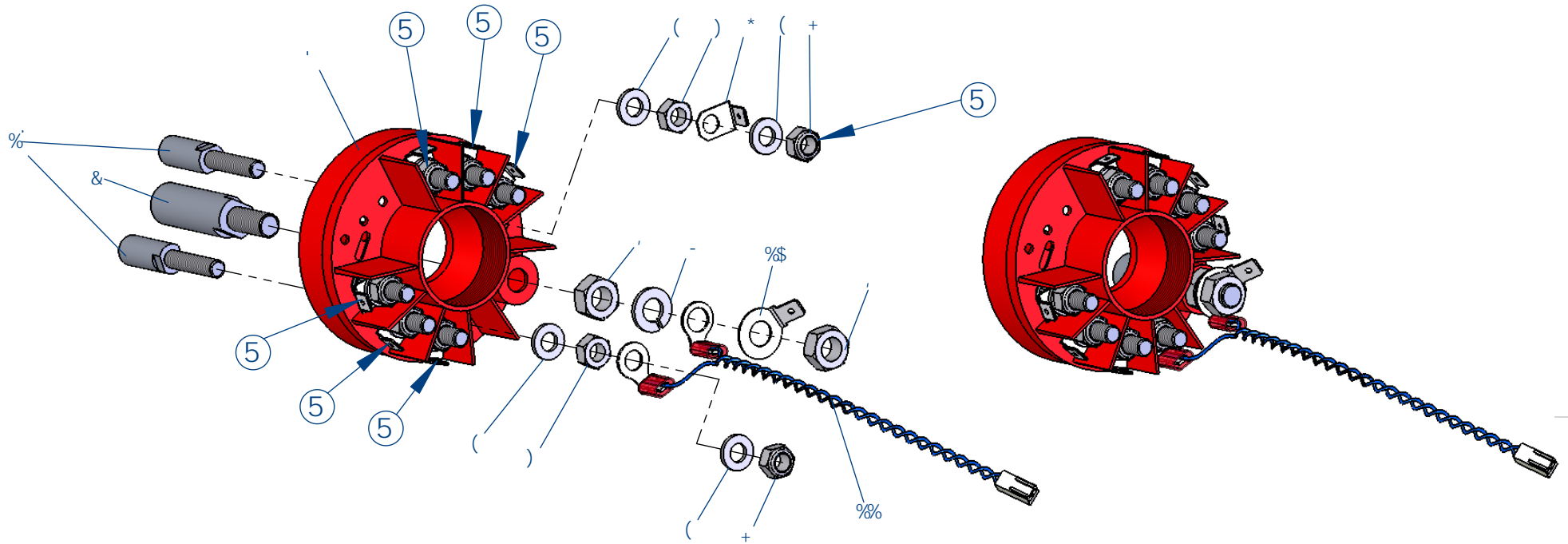
6 U h % # % \$



Bf'	6YnY]Mbi b[5fh_Y`Bf'	Gf`W_
%	A 7 G% `8fi W_HUgYfa`h?UVY`	-%%+\$\$\$	%
&	A 7 G% `8]Mhi b[ggUm'fl !h["Ł	-%%+\$\$\$%	%
'	@98 `a`h?UVY`	-)%\$%\$'	%
(8]Mhg]Mbi fX%,)a a	-' % %\$\$	%
)	; Y\} i gYg]MU'Y`fY]Mhg	-)%\$%\$(%

I B@GGC H:9FK -69 GD97 ÷98. 8-A 9BGC BG5F9-B A @@A 9HFG G F: 57 9: B-G<. HC @9F 5B7 9G ""@B 95 F. ""5B: I @5F.			:B-G<.		8%I F 5B8` 6F 95? G<5FD' 98: 9G		8C`BC HG7 5@8F5K`B:		F9J GCB	
8F5K B			GwUi Yf5"		85H9		Dfc`Y_h		J ?I D%	
7 <?fB					&+"\$&"&\$\$,		HfY`.		; Y\} i gYg]MU'Y`fY]Mhg	
5DDJ fB									6Yg]MfY]Mbi b[.	
A ::									Ni gJa a YbVUi`J ?I D%	
E "5					A 5HfF 5@				5(
					b]MhXYZ'					
					K 9÷ <H'		A UEgtUV. %%		6Uth'`#%\$	

YjWYfN gJa a YbVUi
5



Bf"	6 YnY]W bi b[5 fh_Y`Bf"	Gh W
F	T O^ & @ ^ O i P	J FFI H E	I
G	T O^ & @ ^ O i P	J FFI H E	F
H	S [} æ æ ê ^ ! Å S W U F	J I F F E E	F
I	Ø ã æ * & @ ã ^ Å i	J I F G E H	F I
Í	T ~ æ ! A i	J I F F E H	I
î	Ù ç & : ~ * ^ Å i J Y È	J FFI I E F	ï
ï	Ù ç]] { ~ æ ! A i	J I F F E E	ì
İ	T ~ æ ! A i	J I F F E E	G
J	Ø ã ^ ! Å * Å i	J I F G E F F	F
F E	Ù ç & : ~ * ^ Å i J Þ Ð Í È	J FFI I E G	F
FF	S æ ^ ! Å > ! Å > } ä ~ }	J I F E F E G	F

1 B @ G G C H : 9 F K 6 9 G D 9 7 ÷ 9 8.
8 A 9 B G C B G 5 F 9 B A @ A 9 H F G
G F : 5 7 9 : B 6 <.
H C @ F 5 B 7 9 G
" @ B 9 5 F.
" 5 B : I @ 5 F.

: B G <.
8 9 6 I F 5 B 8
6 F 9 5 ? G < 5 F D
9 8 : 9 G

8 C B C H G 7 5 @ 8 F 5 K B ; F 9 J G C B

þ [" 5 b h c b ' G W c h Y] h b Y f ; a V <

Dfc Y_h
J ? I D %

H Y .
H Y] ' 5

6 Y G W Y] i b [.
N g J a a Y b V U i J ? I D %

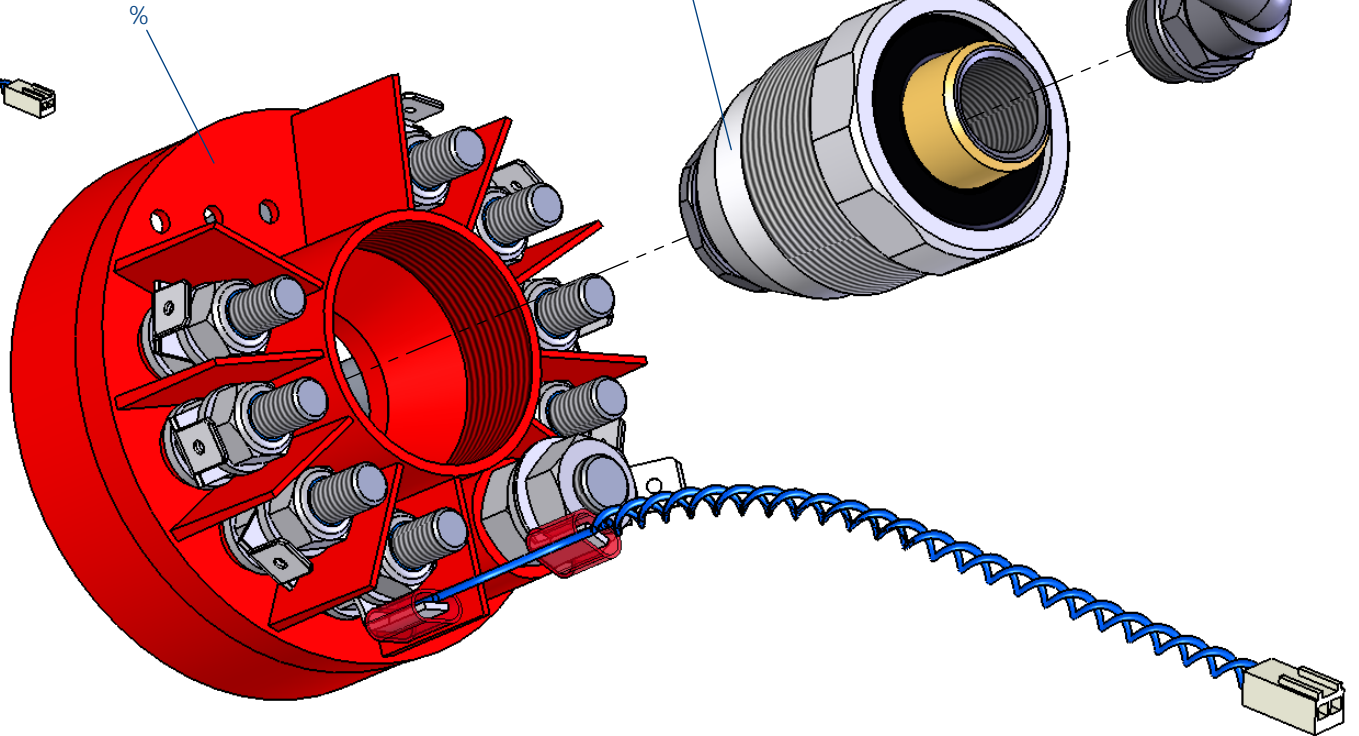
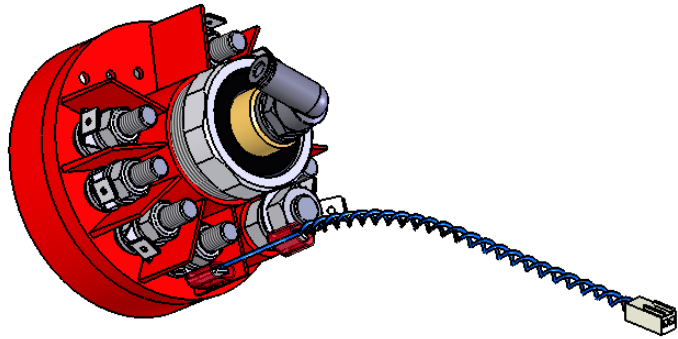
5 (

A 5 H F 5 @
b] W h X Y Z '

K 9 ÷ < H'

A U E g t U V . % &

6 U h (# % \$



1 B@9GC H:9FK 69 GD97 ÷ 98.
 8 A 9BGC BG5F9 B A @A 9HFG
 G F: 5 7 9: B 6<
 H C @9F5B7 9G
 I @B95F.
 J 5B: 1 @5F.

8 96I F 5B8
 6F95? G<5FD
 98: 9G

8C BC HG7 5 @9F5K B:

F9J 6C B

Bf"	6 YnY]W bi b[5 fh]_Y' Bf"	Gh W
F	VãáÉ	Ë	F
G	Ó\^ { • ~ - ð ã ð ç !	Ë	F
H	ŠËÜ ç & ç ! • & @ æ à ~ } * Á { { Á Ö F É @ Ü Ë ð *	JH FÉÉÉH	F

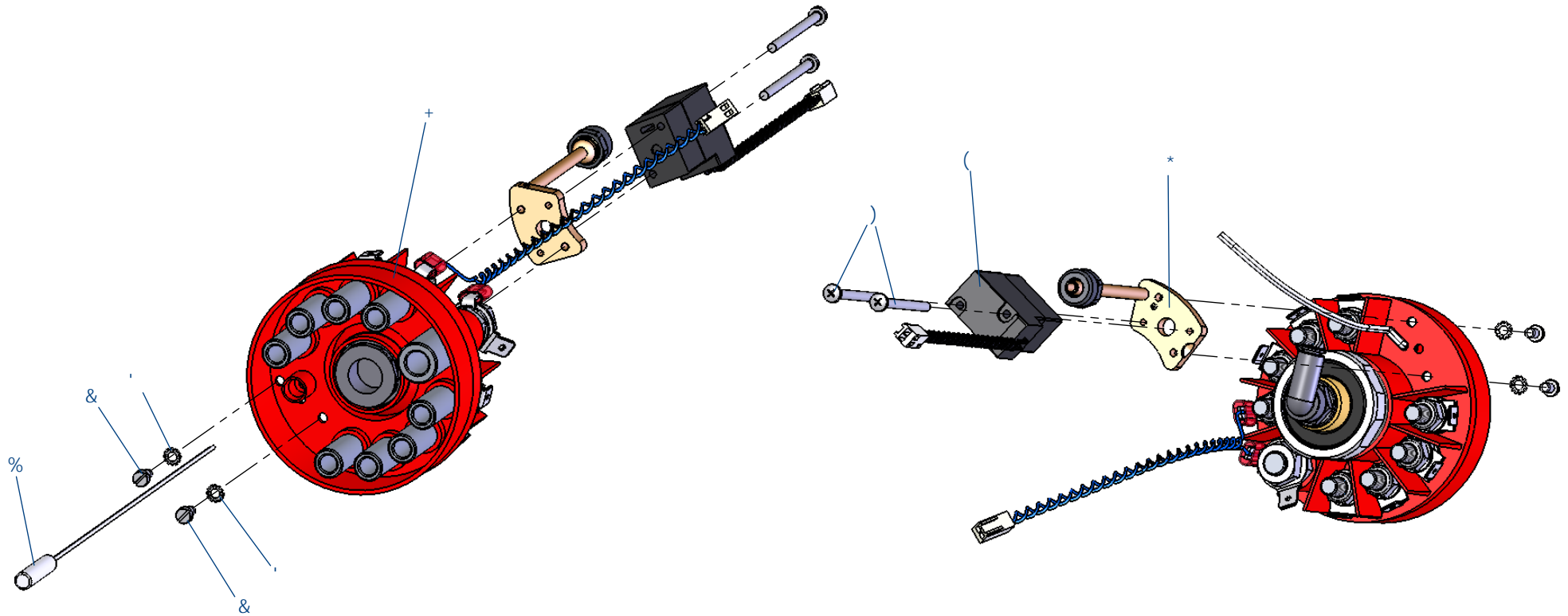
	B5A 9	G B5H F9	85H9
8F5K B	GWUi YF5"		&+"\$&"&\$\$,
7 < ? ð			
5DDJ ð			
A ::			
E "5			A 5H9F 5@
			b]M hXYZ'

ð [" 5 b h c b ' G W c h Y] h b Y f ; a V <	
Dfc Y_h	J ? I D %
H Y :	H Y] ' 6
6YgWfY]i b[.	Ni gJa a YbVUi ' J ? I D %
	5 (

K 9 ÷ < H'

A UEgtUV. % %

6Uth) # % \$



Bf"	6 YnY]W i b[5 fh_Y'Bf"	Gh W
F	Ü^ä•^}• :Á^ä!Á S€-EÁ ÖÊ Ì ÖË €€Y	JFFG €€	F
G	T Hç! Á^Z` S[Á&@æ à^Á ÖÖ Ì ÁZ	JĪ F€€€	G
H	Zæ@•&@ä^ÁH	JĪ F€€Í	G
I	T æ } ^ç^ } çÁFGXÖÖÁGÉ Y	JÍ F€FÉ	F
í	T æ } ^ç^ } çÁU&@æ à^Á T GÉ çl Í	JĪ F€€Í	G
î	T æ } ^ç^ } çÁU&@æ ç!	JÍ F€FÉ	F
ï	V^áO	€€	F

I B@GGC H:9FK 69 GD97 ÷98.
8 A 9BGC BG5F9-B A @A 9HFG
G F: 57 9: B<.
H C @F 5B7 9G
" @B 95 F.
" 5B: 1 €5 F.

: B-G<.
896I F 5B8
6F95? G<5FD
98: 9G

8C BC HG7 5 @8F5K B: F9J €C B

⊕["5 bhc b'GWc hY]hbYf; a V<

Dfc Y_h
J ?I D%

HV.
HY] 7

6YgWfY]i b[.
N gJa a YbVUI ' J ?I D%

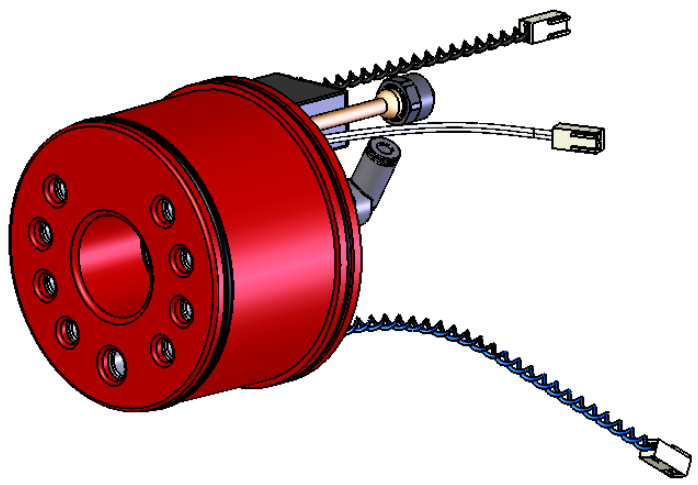
5(

A 5Hf 5@
b]W hXYZ'

K 9< H' A UEgtUV. %& 6Uth* #%\$

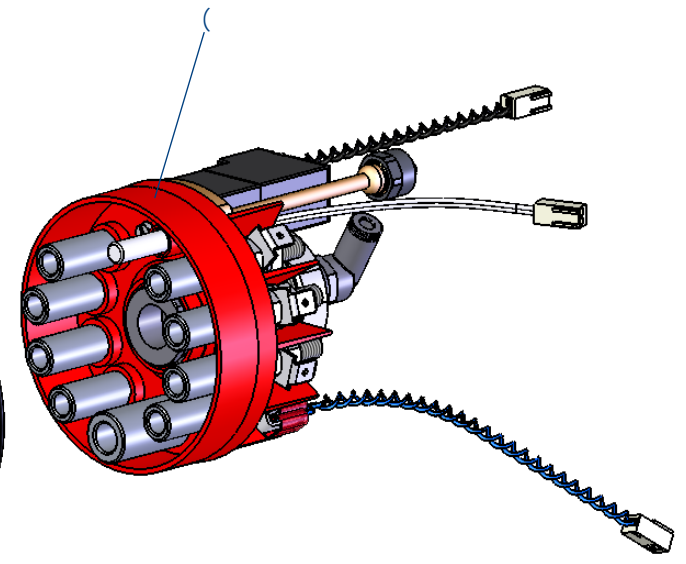
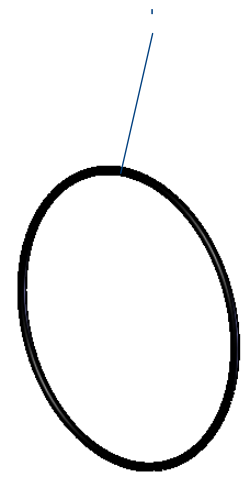
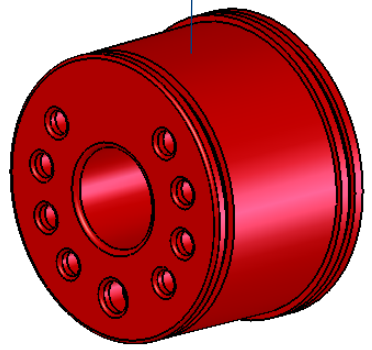
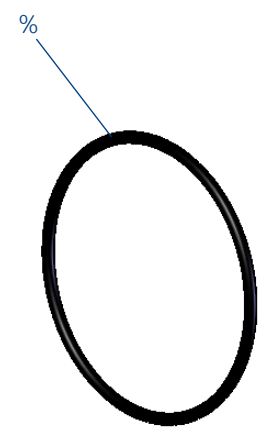
5

5



6

6



7

7

I B@GGC H:9FK 69 GD97 ≠98.
 8-A 9BGC BG5F9-B A @A 9HFG
 G F: 5 7 9: B 6<.
 HC @9F 5B7 9G
 !@B 95F.
 ""5B: 1 @5F.

:B 6<.
 896I F 5B8
 6F 95? G<5FD
 98: 9G

8C BC HG7 5@9F5K B;

F9J 6CB
 @[" 5 bhc b'GWλ c thY]hbYf; a V<

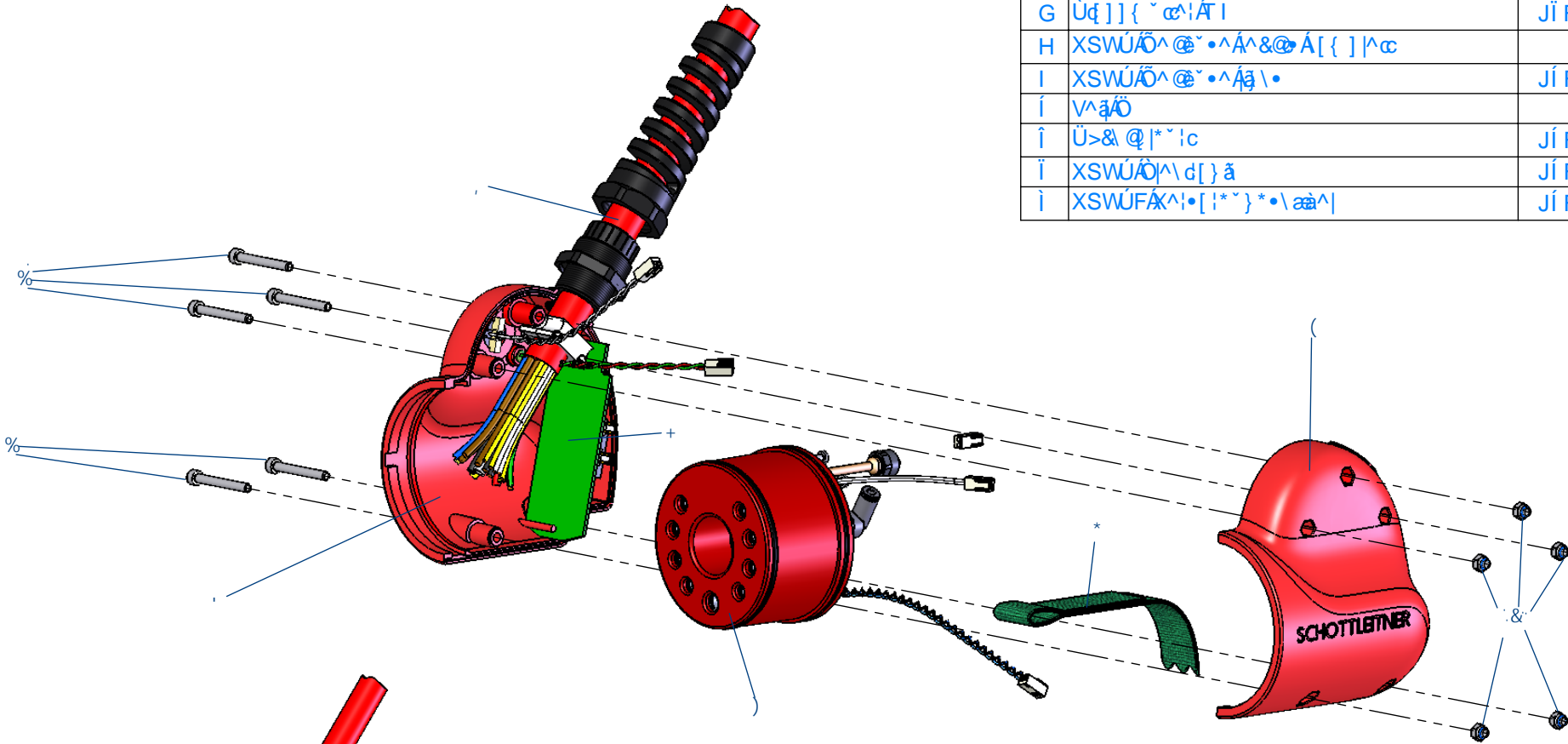
Bf"	6 YnY]W i b[5 fh_Y`Bf"	Gfi W_
%	C!F]b[]X*) ' I`X&	- ' % \$\$(<	%
&	9]bdfYgg[\ \] i gYJ?I D%	-) %\$%8%	%
'	C!F]b[]X+, ' I`X&	- ' % \$\$)	%
(HY]`7	!!	%

	B5A 9	G≥ B5H F9	85H9
8F5K B	GWλ Ui YF5"		&+"\$&"&\$\$,
7 <? 7B			
5DDJ B			
A ::			
E "5			A 5H9F 5@
			b]Wλ hXYZ'

Dfc Y_h	HY]`8	5(
J ?I D%		
6YgWλ fY]i b[.	Ni gJa a YbVUi ' J ?I D%	

8

Bf"	6 YnY]W i b[5 fh_Y`Bf"	Gñ W
F	Z` ã à^!•&@æ à^A}^}•^&@\æ ðT À:Á €	Jí FEEÉ	í
G	Ùq]]{ `æ!Á	Jí FFEÉ	í
H	XSWÚÔ^@~•^Á^&@Á[] ^c	Ë	F
I	XSWÚÔ^@~•^Áã\•	Jí FEFÉ	F
Í	V^ãÖ	Ë	F
Î	Ü>& @ ^*~ c	Jí FEFÍ	F
Ï	XSWÚÔ^ \d[]ã	Jí FFI €	F
İ	XSWÚFÁ^!•[^*~}*•\ææ^	Jí FEFH	F



I B@9GC H:9FK -99 GD97 ÷98. 8-A 9BGC BG5F9-B A @A 9HFG G F: 57 9: B-G< H: @F5B7 9G * @B95F. **5B: I @5F.			:B-G<.			896I F5B8` 6F95? G<5FD 98: 9G			8C`BC HG7 5@8F5K`B;		F9J €CB	
B5A 9			G: B5H F9			85H9			b["5 bhc b`GW c hY]hbYf; a V<			
8F5K B GWUi YF5"						&+"\$&"&\$\$,			Dfc`Y_h J ?I D%			
7 <? B									HY]'9			
5DDJ B												
A :;												
E "5						A 5H9F-5@			6YgWY]i b[.			5(
						b]W hXYZ'			N gJa a YbVUi `J ?I D%			
						K 9: <H'			A UEgtUV. %'			6Um, #%\$

